



JOLLY 4 *Plus*

Product Data **Mobile radiographic unit**

X-RAY GENERATOR	<ul style="list-style-type: none"> • High Frequency monobloc • Maximum power: 4 kW • Maximum voltage: 110 kV • Maximum mAs: 200 mAs • Monobloc thermal capacity: 500 kJ (670 KHU) • Monobloc maximum thermal dissipation: 55 W • Frequency: 40 kHz • kV ripple: < 2% • Leakage radiation (IEC 601-1-3): < 1 mGy / h • Total filtration: 2.7 mm Al
X-RAY TUBE	<ul style="list-style-type: none"> • Single focus • Focal spot size: 1.5 mm • Anode: Stationary anode • Anode material: W • Anode angle: 12° • Anode thermal capacity: 30 kJ (40 KHU) • Max. continuous anode thermal dissipation: 250 W • Max. voltage: 110 KVp
CONTROL CONSOLE	<ul style="list-style-type: none"> • Microprocessor controller console • Display: 5.7" LCD colour touch screen display (320x240 pixel) • Alarm: Acoustic and luminous X-ray emission alarm • APR languages available: <ul style="list-style-type: none"> - English - French - Spanish - Italian - German
OPERATION MODE	<ul style="list-style-type: none"> • 3-point operation (kVp – mA – time) <ul style="list-style-type: none"> kVp selection: from 40 to 110 kV [1kV step] mA selection: from 25 to 80 mA [5 steps] Time selection: from 0.002 to 6 sec. [34 steps] • 2-point operation (kVp – mAs) <ul style="list-style-type: none"> kVp selection: from 40 to 110 kV [1 kV step] mAs selection: from 0.5 to 200 mAs [24 steps] • Anatomical programming: 170 stored techniques • Compensation levels: 5 patient's thickness compensation levels • Output: RS232 for software updating
EXPOSURE CONTROLS	<ul style="list-style-type: none"> • Two modalities <ul style="list-style-type: none"> With two push buttons on control console Two-step X-ray push button control with spiral cable extendable up to 3.8 meters

JOLLY 4 *Plus*

Product Data **Mobile radiographic unit**



SAFETY AND PROTECTION

- Automatic control and protection of the filament current
- Over current protection
- Overvoltage protection
- X-ray tube overload protection
- Monobloc KHU automatic survey
- Errors description

COLLIMATOR

- Square field single layer
- Manual collimator
- Adjustment from 0x0 to 43x43 cm at 1 m focal distance (FFD)
- High intensity lamp (160 lux) for X-ray field simulation and automatic switch off after 30 sec.
- Retractable tape measure for FFD measurement
- $\pm 90^\circ$ collimator rotation

MOBILE STAND

- Antistatic rubber wheels
- Dead-man operated parking brake
- Variable focus-floor distance from 41 to 201 cm
- Monobloc yoke support rotation: $+90^\circ / -90^\circ$
- Monobloc rotation in the yoke: $-57^\circ / +167^\circ$
- Cassette bin for storing up to nr. 6 radiographic cassettes 35x43 cm size (14x 17 inches)
- Overall dimensions in transport position: 106 x 68 x 158 (H) cm
- Weight: ~150 kg

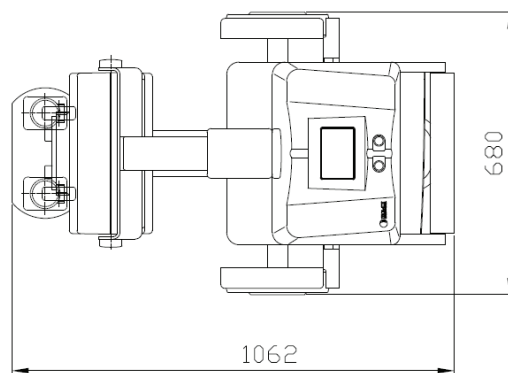
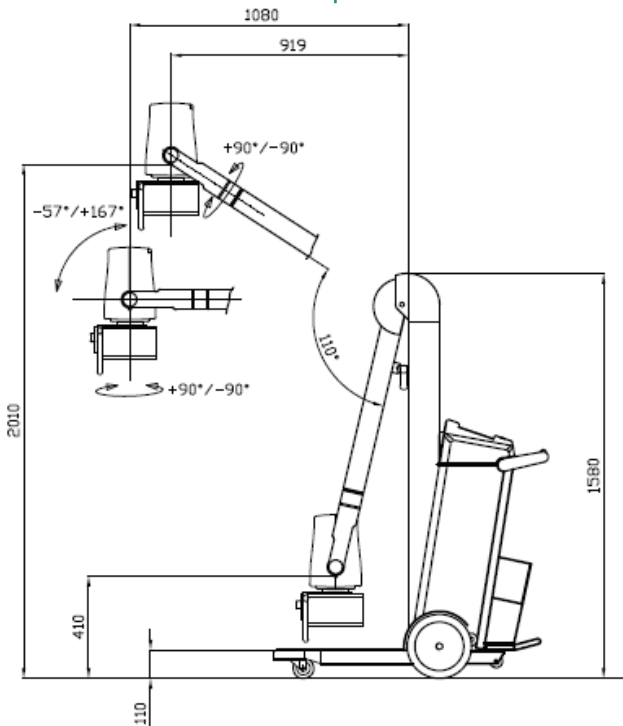
MAINS AND POWER SUPPLY

- $\pm 10\%$ automatic line compensation
- Total line resistance: 0.40 Ohm maximum
- Voltage: 230 Vac single phase
- Frequency: 50 Hz or 60 Hz
- Current consumption: 16 A maximum

On request:

- Voltage: 115 Vac single phase
- Frequency: 60 Hz
- Current consumption: 25 A maximum

Data subjected to alteration without prior notice



PD-01-E Rev. 01 15.05.2009



BMI BIOMEDICAL INTERNATIONAL srl

Via E. Fermi 52 Q/R . 24035 Curno (Bg) . ITALY . Ph +39 0354376381 . Fax +39 0354376401
www.bmbiomedical.it . e-mail: bmi@bmbiomedical.it

